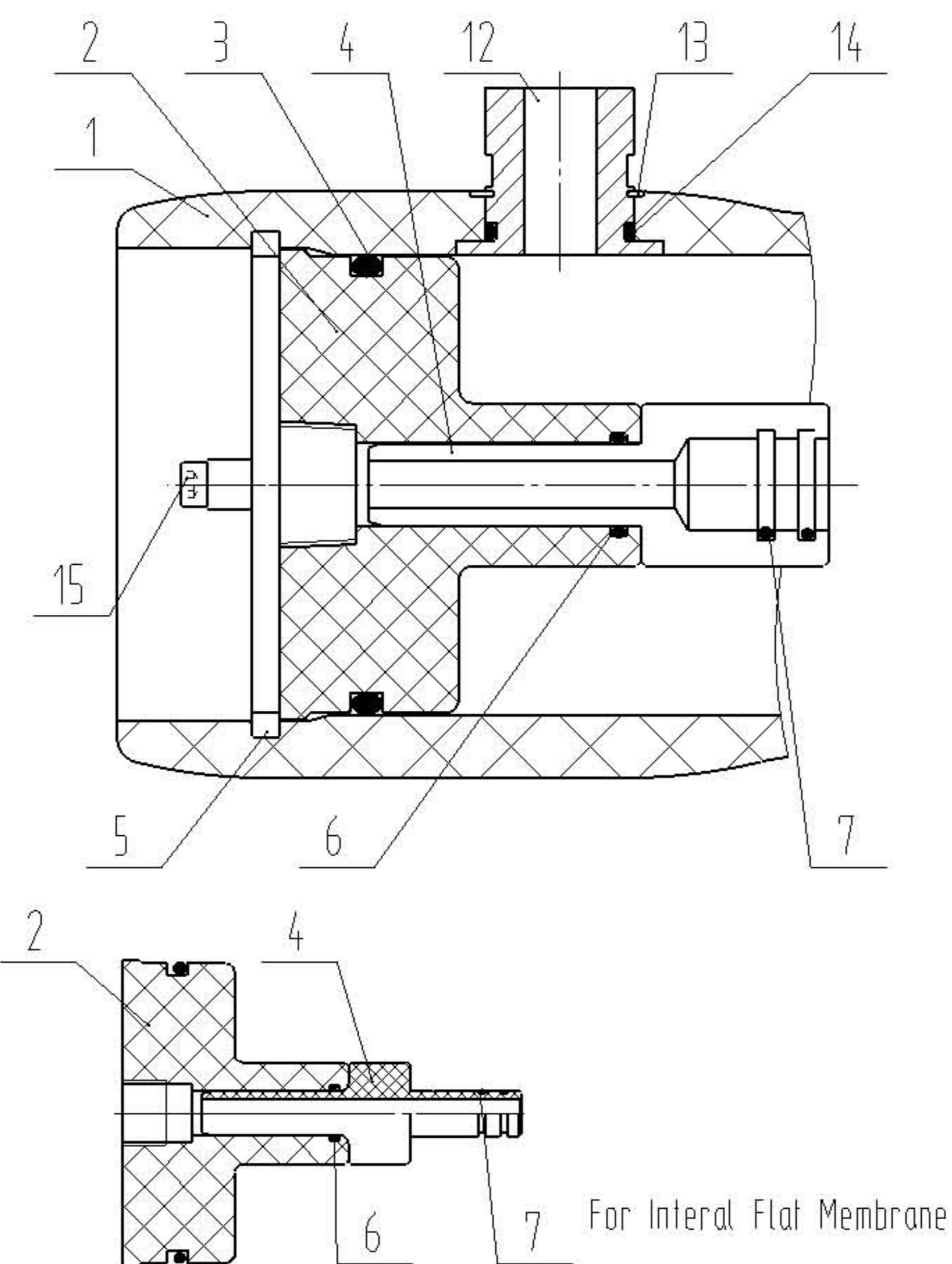


**450  
PSI**

NOTE:

- 1 Design pressure 450PSI(3.15MPa)
- 2 Design temperature 150°F(66°C)
- 3 Min. allowable temperature 14°F(-10°C)
- 4 Working medium, water PH3~11
- 5 Internal permeate pressure not to exceed 125psi
- 6 Please operate in accordance with User Manual
- 7 Subject to change without notice. Check with ROPV to confirm current drawing.

15	GB/T5782-2000 M6x20	Locking Crescent Screw	4	304SS	
14	28x2.65G GB/T3452.1-2005	O-Ring	2~4	EPDM	
13	4005	Retaining Ring	2~4	304SS	
12	4004	Feed/Conc. Port	2~4	316SS	
11	4013.1	Plug	1	ABS	
10	4010	Saddle	2~3	NR	
9	GB/T5782-2000 M8x60	Strap Screw	4~6	304SS	
8	4008.1	Strap	2~3	304SS	
7	12.5x1.8G GB/T3452.1-2005	O-Ring	4	EPDM	
	19x2.65G GB/T3452.1-2005				
6	14x2.65G GB/T3452.1-2005	O-Ring	2	EPDM	
	17x2.65G GB/T3452.1-2005				
5	4011.1	Locking Crescent	4	304SS	
4	4021.1	Adapler	2	ABS	For Internal Flat Membrane
	4021				
3	90x5.3G GB/T3452.1-2005	O-Ring	2	EPDM	
2	4001.1	End Plate	2	ABS	For Internal Flat Membrane
	4001				
1	4015.7-12	Pressure Shell	1	FRP	OPT for Blue or White
Ref.	Part Number	Description	Qty.	Material	Note



Shell length code	Shell number	L	P	S	Approx assembly weight KG/LB
		L.O.A MM/IN	Part to part MM/IN	Span MM/IN	
1	4015.7	1278/50.3	1067/42	600/23.6	9/20.3
2	4015.8	2294/90.3	2083/82	1200/47.2	14/31.5
3	4015.9	3310/130.3	3099/122	2200/86.6	18/40.5
4	4015.10	4326/170.3	4115/162	1600/63x2	22/49.5
5	4015.11	5342/210.3	5131/202	2300/90.6x2	27/60.8
6	4015.12	6358/250.3	6147/242	2700/106.3x2	31/69.8

<b>ROPV</b>	DESIGN X W Liu 2008.04.08	<b>Harbin ROPV Industry Development Center</b>	
	REVIEW J B An 2008.04.08	MODEL R40B450S PRESSURE VESSEL	REV 08
	APPROVAL Y C Li 2008.04.08	DRG R40B450S-00	